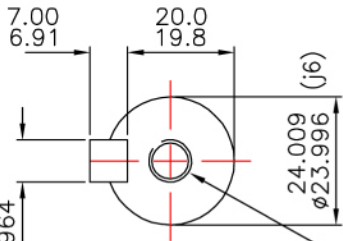
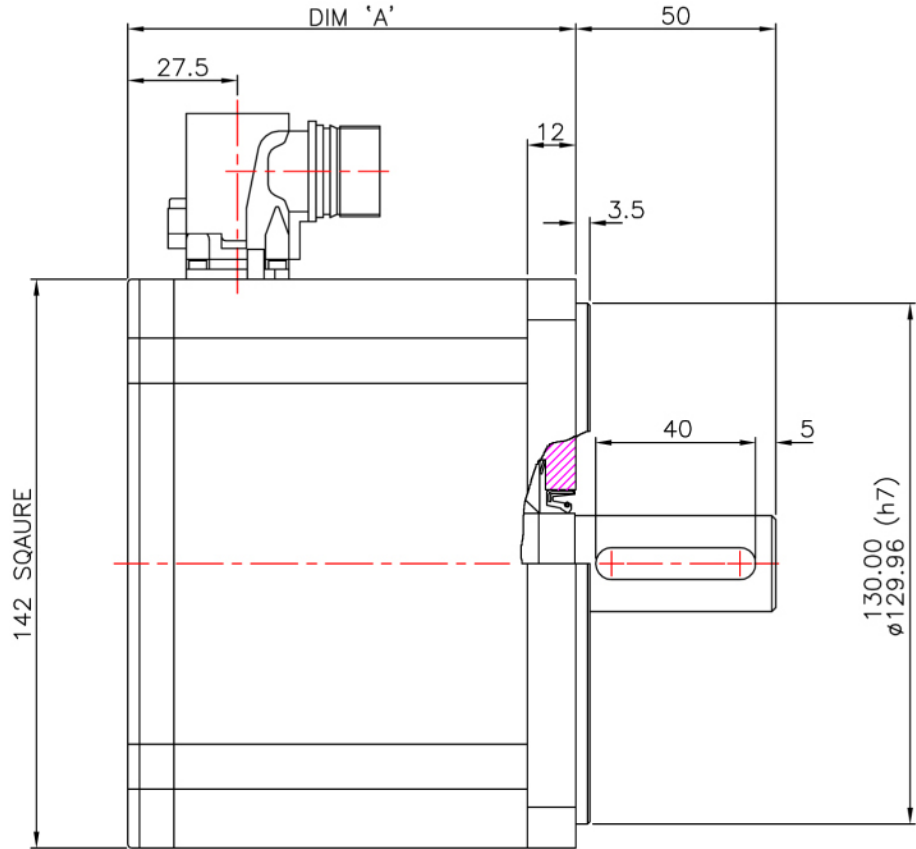
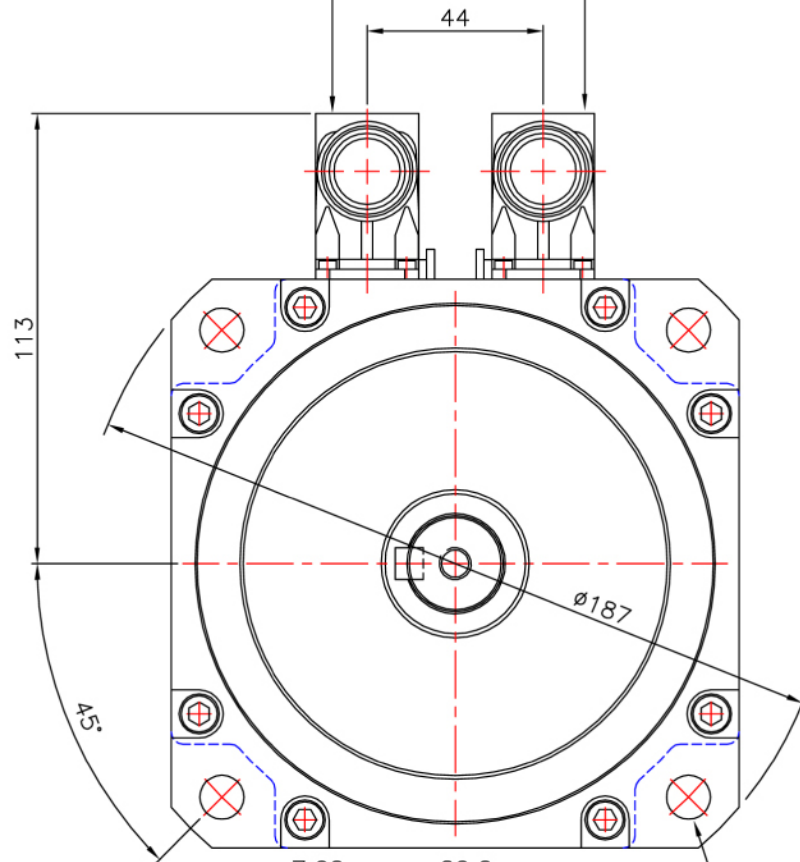


FIRST ANGLE PROJECTION

POWER CONNECTOR:-INTERCONNECTRON SIZE1, 6 PIN

FEEDBACK CONNECTOR:- RESOLVER-INTERCONNECTRON SIZE 1, 12 PIN, 20' OFFSET



SHAFT DETAIL
SCALE:- 1:1

4-HOLES $\phi 11$ THRO'
EQUI-SPACED AS SHOWN
ON A 165 PCD

M8x1.25-6H x 20 DEEP

FRAME	DIMENSION 'A'	
	WITHOUT BRAKE	WITH BRAKE
HDM142A	112	172
HDM142C	132	192
HDM142E	157	217
HDM142J	207	267

TITLE : OUTLINE NHDM142 STD METRIC - RESOLVER

DRAWING NO.

664-7-06387

SCALE 3:4

MATERIAL

CODE

ISSUE No. 1

SPEC

FORM

NOVOTRON
für Dynamik und Bewegung

DR. SIH

FINISH

PATTERN No.

DATE 02NOV04

ALL DIMENSIONS IN MILLIMETRES
TOLERANCES UNLESS ANG: $\pm 0.5^\circ$
OTHERWISE STATED DIM: $\pm 0.25\text{mm}$

A06387A1