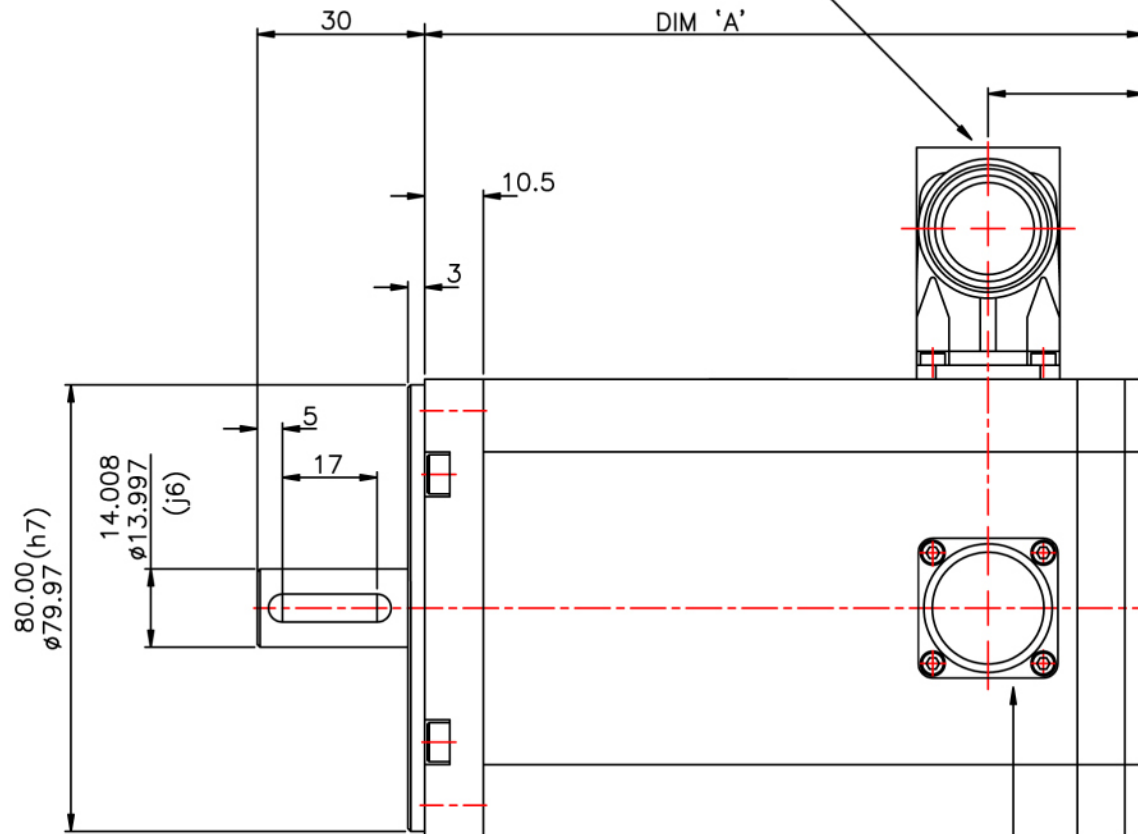
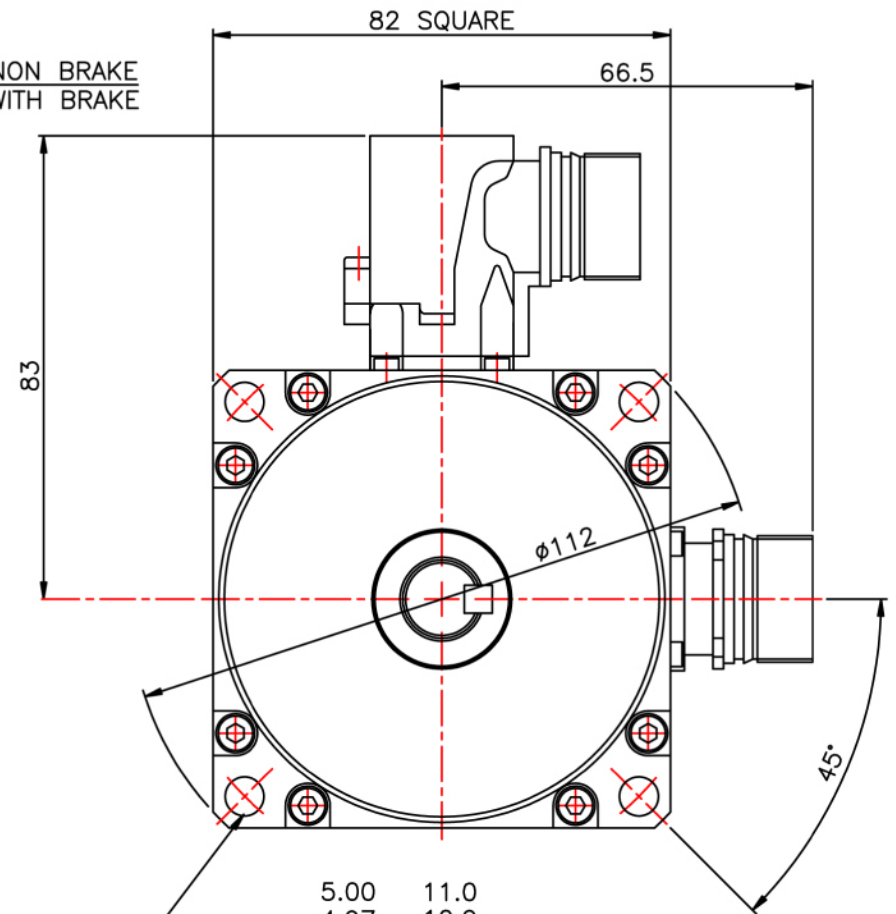


FIRST ANGLE PROJECTION

MOTOR CONNECTOR :- INTERCONNECTRON SIZE 1, 6 PIN



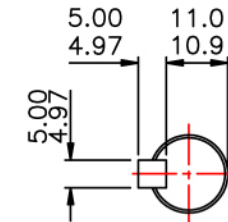
28 NON BRAKE
73 WITH BRAKE



FEEDBACK CONNECTOR :- INTERCONNECTRON SIZE 1, 12 PIN, 20° OFFSET
CAN BE SUPPLIED ON EITHER SIDE - RIGHT HAND VERSION SHOWN

FRAME	DIM 'A'	
	NO BRAKE	WITH BRAKE
HDM82A	82	122
HDM82C	100	140
HDM82E	118	158
HDM82J	154	194

4-FIXING HOLES $\phi 7$ EQUI-SPACED ON 100 PCD



KEYWAY DETAIL

3 12JUL04 MOTOR LENGTH REDUCED TO MR3176

TITLE : OUTLINE NHDM82 STD METRIC - RESOLVER

DRAWING NO.

664-7-06356

SCALE 1:1

ISSUE No. 3

ALL DIMENSIONS IN MILLIMETRES
TOLERANCES UNLESS ANG: $\pm 0.5^\circ$
OTHERWISE STATED DIM: $\pm 0.25\text{mm}$

MATERIAL AS STATED

CODE

SPEC

FORM

FINISH

PATTERN No.

NOVOTRON
für Dynamik und Bewegung

DR. GFD

DATE 14AUG03

A06356C1