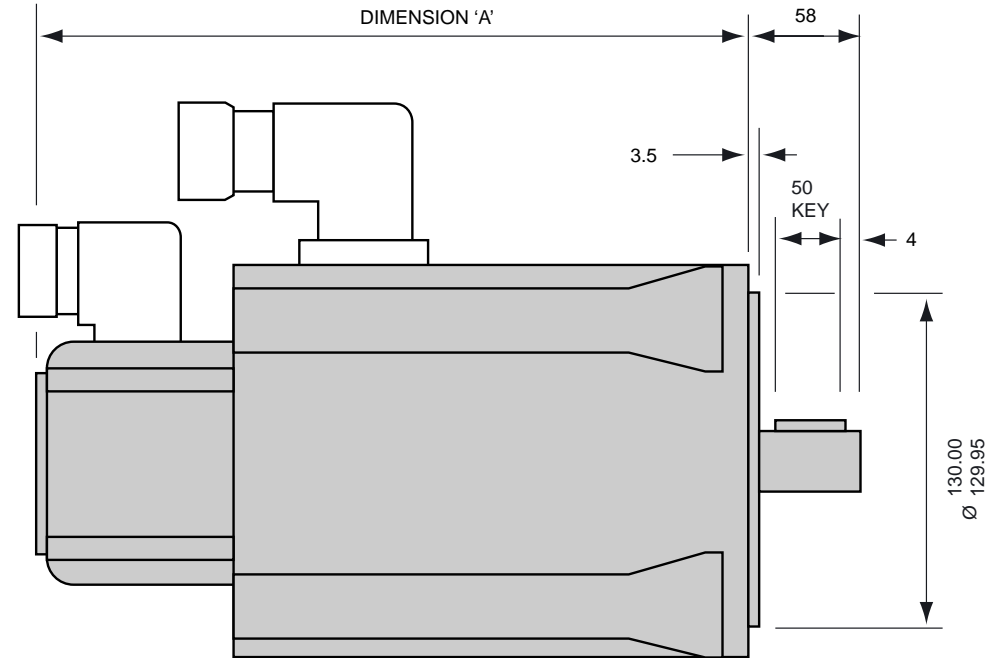
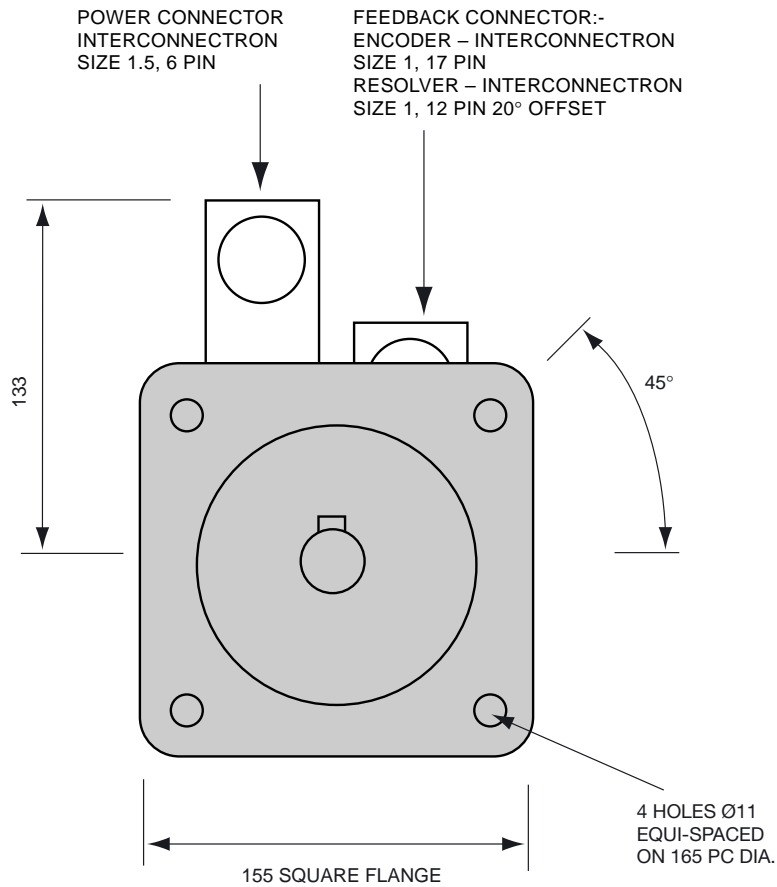
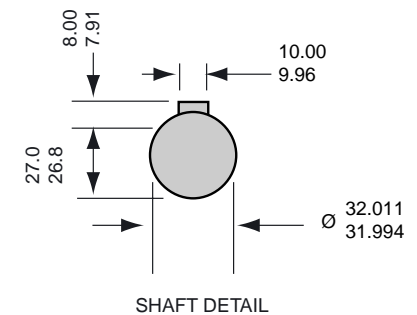


ALL DIMENSIONS IN MILLIMETRES



FRAME	DIMENSION 'A'	
	WITHOUT BRAKE	WITH BRAKE
NHJ155A8	237	276
NHJ155B8	259	303
NHJ155D8	303	347
NHJ155E8	325	369
NHJ155G8	369	408



Dimensions may be subject to change without notice.
Certified drawings available on request.

NOVOTRON
Future in Drives

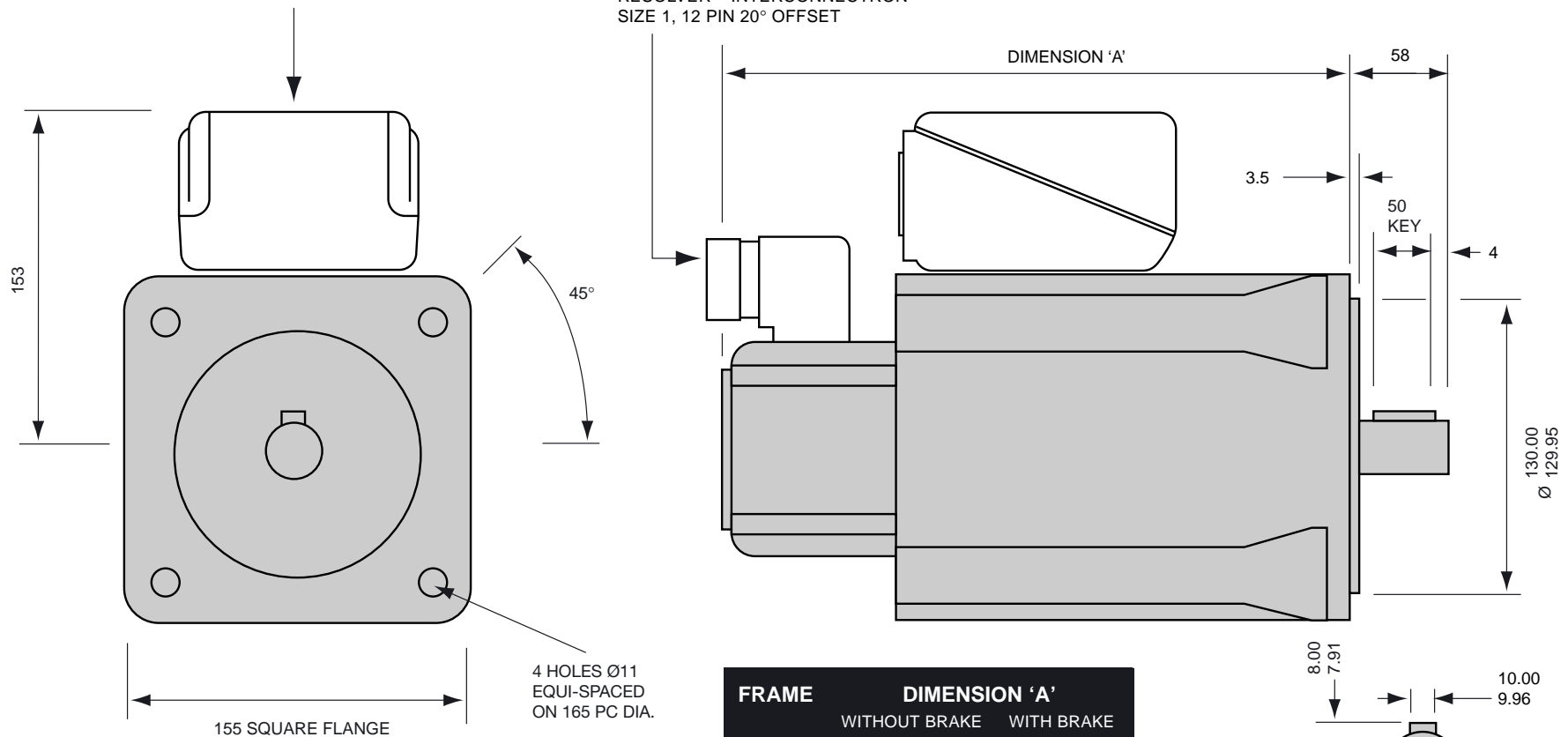
**NHJ155 STD METRIC +
INTERCONNECTRON CONNECTORS**

DRAWING NO 664-7-05953

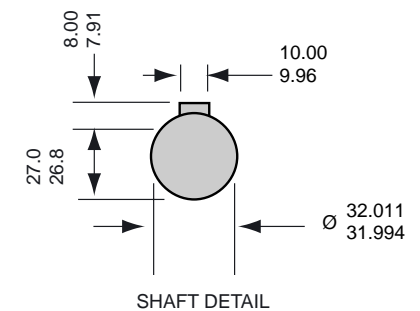
ALL DIMENSIONS IN MILLIMETRES

POWER CONNECTION:-
VIA PG29 ACCESS TO TERMINALS (PG36 MAX)

FEEDBACK CONNECTOR:-
ENCODER – INTERCONNECTRON
SIZE 1, 17 PIN
RESOLVER – INTERCONNECTRON
SIZE 1, 12 PIN 20° OFFSET



FRAME	DIMENSION 'A'	
	WITHOUT BRAKE	WITH BRAKE
NHJ115A8	237	276
NHJ115B8	259	303
NHJ115D8	303	347
NHJ115E8	325	369
NHJ115G8	369	408



Dimensions may be subject to change without notice.
Certified drawings available on request.

NOVOTRON
Future in Drives

NHJ155 STD METRIC + TERMINALBOX

DRAWING NO 664-7-06111