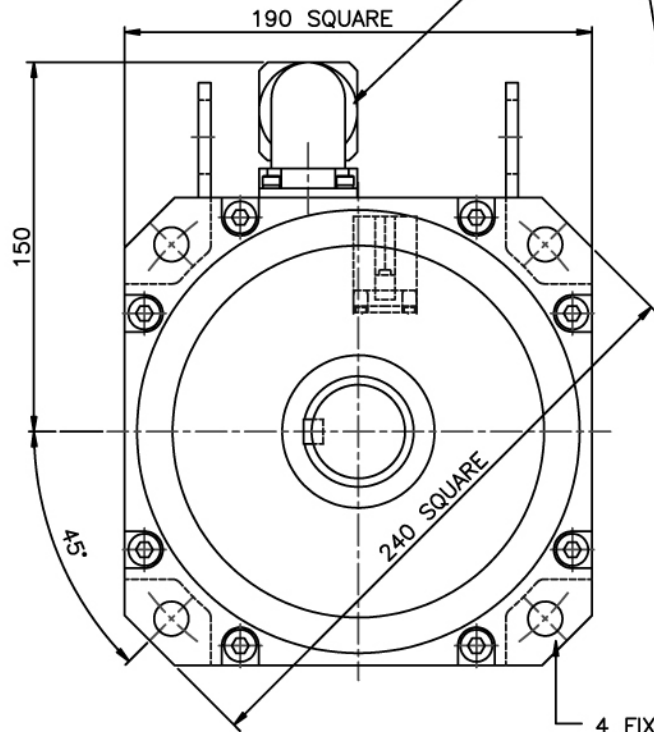
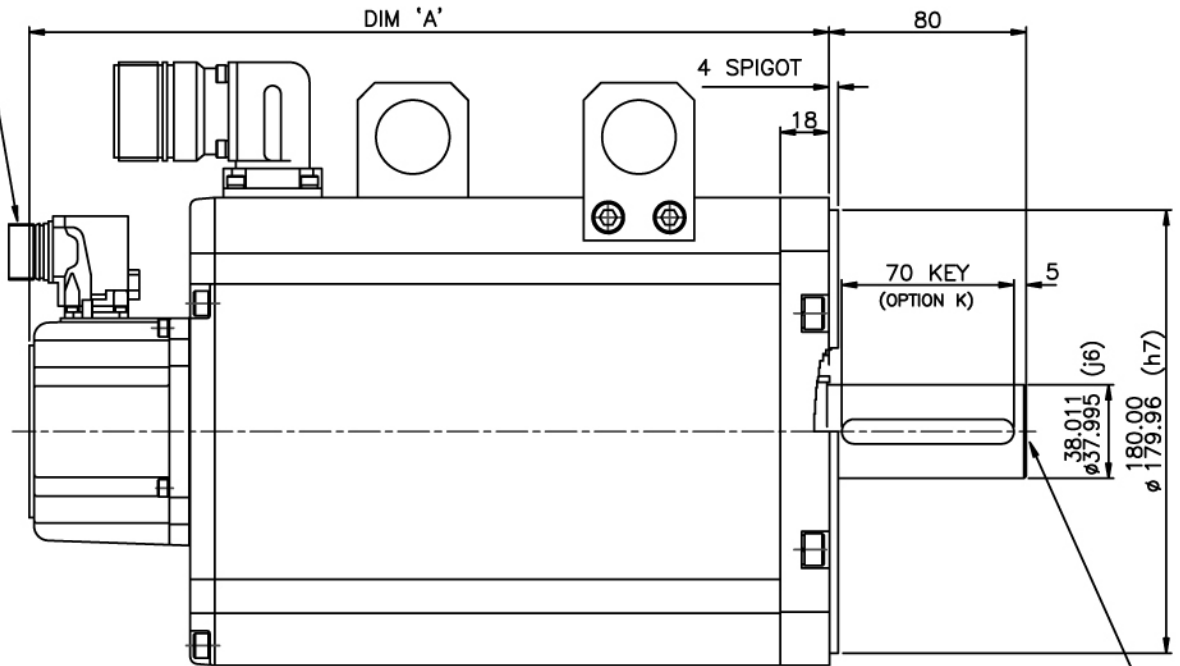


FIRST ANGLE PROJECTION



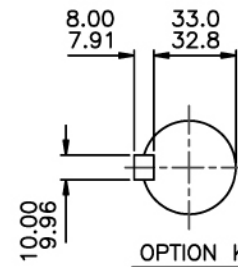
POWER CONNECTOR:- INTERCONNECTRON SIZE 1.5 - 6 PIN

FEEDBACK CONNECTOR:- RESOLVER MOTORS - INTERCONNECTRON SIZE 1, 12 PIN, 20°OFFSET
ENCODER MOTORS - INTERCONNECTRON SIZE 1, 17 PIN



4 FIXING HOLES $\phi 14$ ON 215 PC DIA

FRAME	DIMENSION 'A'	
	WITHOUT BRAKE	WITH BRAKE
HJ190C8	326	376
HJ190D8	351	401
HJ190E8	376	426
HJ190F8	401	451
HJ190K8	501	551



OPTION D
SHAFT EXTENSION TAPPED
M12x1.75-6H x 30 DEEP

5 12NOV03 MR3026 SHAFT EXTENSION & DE COVER SPIGOT TOLERANCES NOW SHOWN AS j6 & h7.

TITLE: OUTLINE HJ190 STD METRIC

DRAWING NO.
664-7-06072

SCALE 1:2

ALL DIMENSIONS IN MILLIMETRES
TOLERANCES UNLESS ANG: $\pm 0.5^\circ$
OTHERWISE STATED DIM: $\pm 0.25\text{mm}$

MATERIAL	CODE
SPEC	FORM
FINISH	PATTERN No.

NOVOTRON
Future in Drives

ISSUE No.	5
DR.	AT
DATE	03FEB00

A06072E1