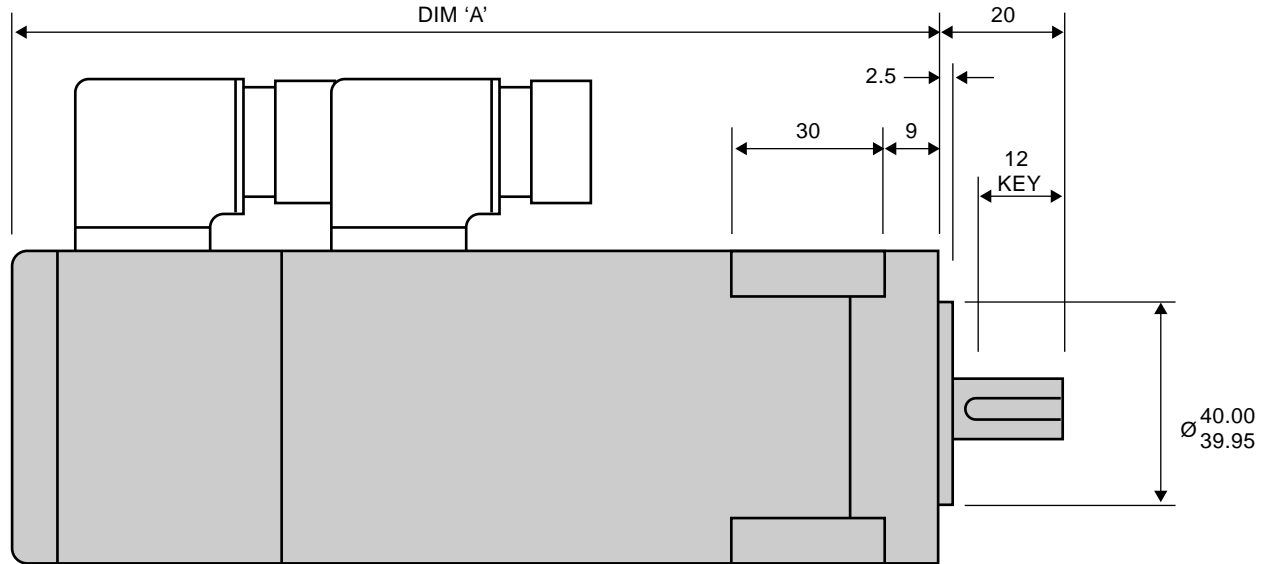
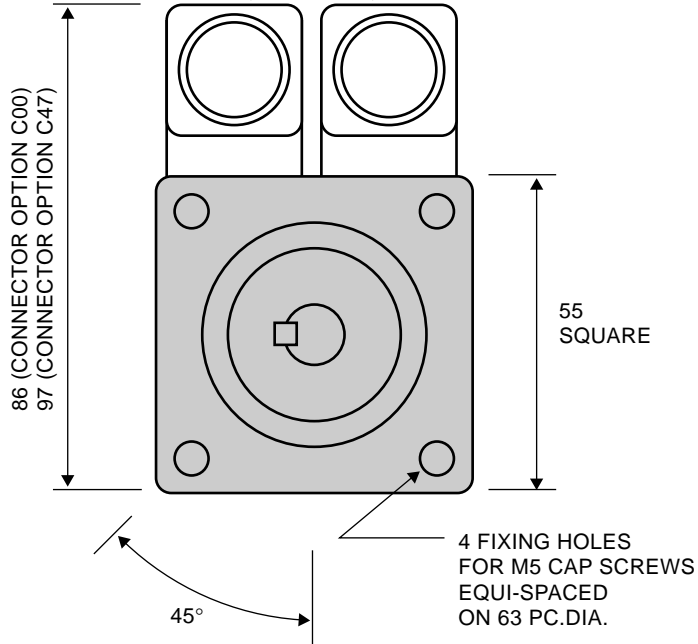


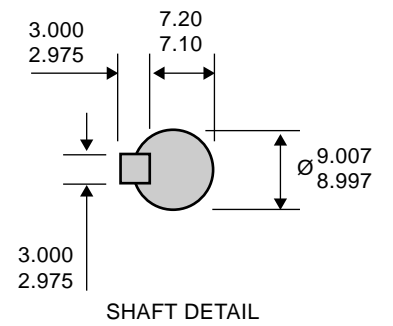
MOTOR CONNECTOR FEEDBACK CONNECTOR

CONNECTORS MAY BE ROTATED INTO ONE OF FOUR POSITIONS



4 FIXING HOLES FOR M5 CAP SCREWS
EQUI-SPACED ON 63 PC.DIA.

FRAME	DIM 'A'	
	NO BRAKE	WITH BRAKE
NHR55A	122	158
NHR55C	140	176
NHR55G	176	212



Dimensions may be subject to change without notice.
Certified drawings available on request.

